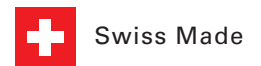


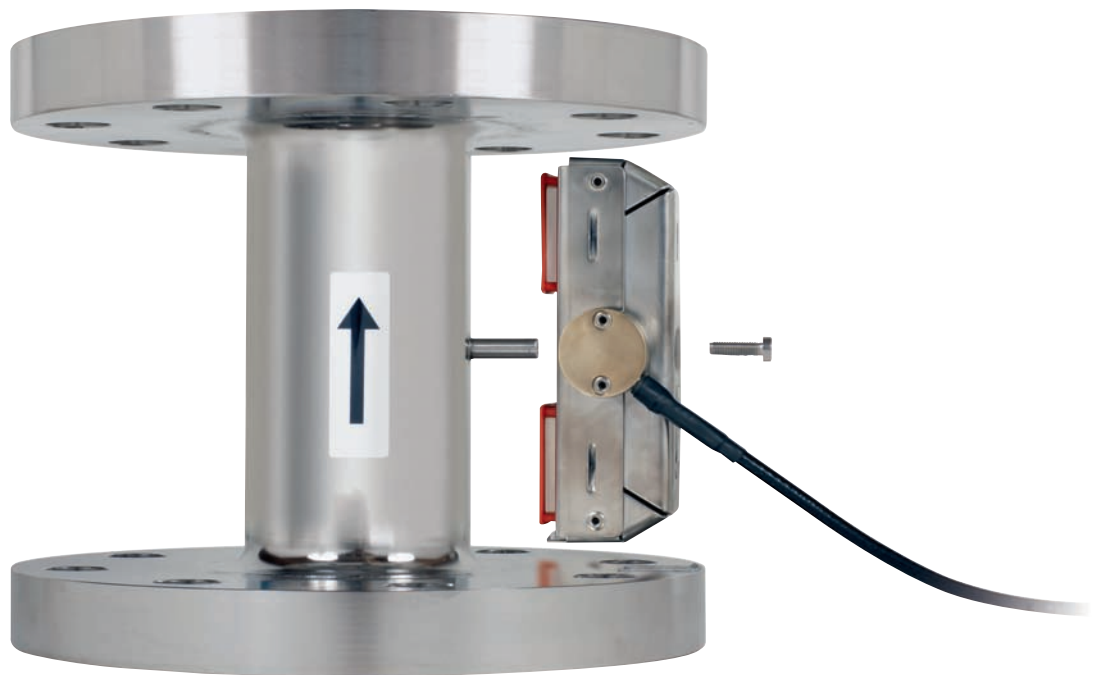
AMFLO® SONIC DryX

Ultrasonic flow sensor



Applications

Flow sensor with innovative exchange concept. Highest customer benefits for district heating.



Features

- Installation length can be customised
- No in- and outlet sections required
- Sensor exchange with running process

Benefits

- Easy replacement of meters
- Less planning effort
- Lower cost of ownership

General Information

The AMFLO® SONIC DryX is a flow meter for water. Flow is measured using ultrasound.

Technical data

Nominal diameter	DN 32 - 250
Measuring tube	AISI 316 L (1.44.04)
Fluid	Water
Nominal pressure	PN 40 / PN 25 / PN 16
Degree of protection	IP 68 (sensor head electronics)
Fluid temperature	0 - 130 °C
Ambient temperature	5 - 55 °C
Accuracy	Class 2 acc. to EN1434
Connection cable	10 m, fixed

Range of measurement (approved acc. EN 1434 class 2, measurement dynamic 1:250)

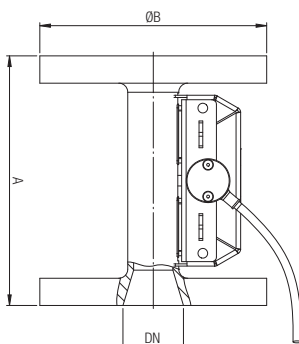
Nominal diameter DN	mm	32	40	50	65	80
qi (Minimum flow)	m³/h	0.048	0.08	0.12	0.2	0.32
qp (Nominal flow)	m³/h	12	20	30	50	80
qs (Maximum flow)	m³/h	15	25	37.5	62.5	100
v (qi)	m/s	0.017	0.018	0.017	0.017	0.018
v (qp)	m/s	4.15	4.42	4.24	4.19	4.42
Δp (qp/2)*	mbar	37	46	46	44	51
Flow at Δp = 100 mbar	m³/h	9.9	14.7	22.1	37.9	56.1
Kvs	m³/h	31.2	46.6	69.7	119.8	177.5
Resolution	ml	18	30	44	73	117

Nominal diameter DN	mm	100	125	150	200	250
qi (Minimum flow)	m³/h	0.48	0.8	1.2	2	3.2
qp (Nominal flow)	m³/h	120	200	300	500	800
qs (Maximum flow)	m³/h	150	250	375	625	1000
v (qi)	m/s	0.017	0.018	0.019	0.018	0.018
v (qp)	m/s	4.24	4.52	4.71	4.42	4.53
Δp (qp/2)*	mbar	49	55	63	58	62
Flow at Δp = 100 mbar	m³/h	85.5	134.8	188.9	328.3	508.0
Kvs	m³/h	270.3	426.3	597.4	1038	1606
Resolution	ml	175	292	438	730	1167

* equivalent to standard values of qp acc. to EN 1434

Dimensions and device connection

Flange holes according to EN 1092-1



Nominal diameter DN	mm	32	40	50	65	80
Minimum length* A	mm	150	165	200	200	175
Flange ØB	mm	140	150	165	185	200
Weight	kg	5.5	6.5	8	10	12.5

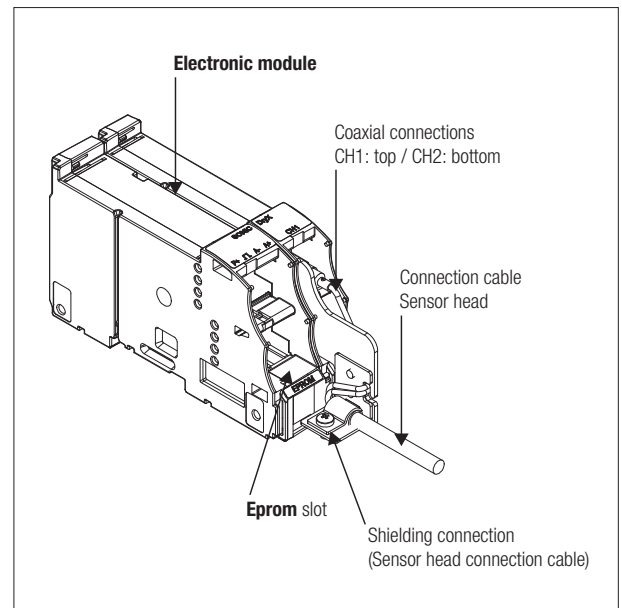
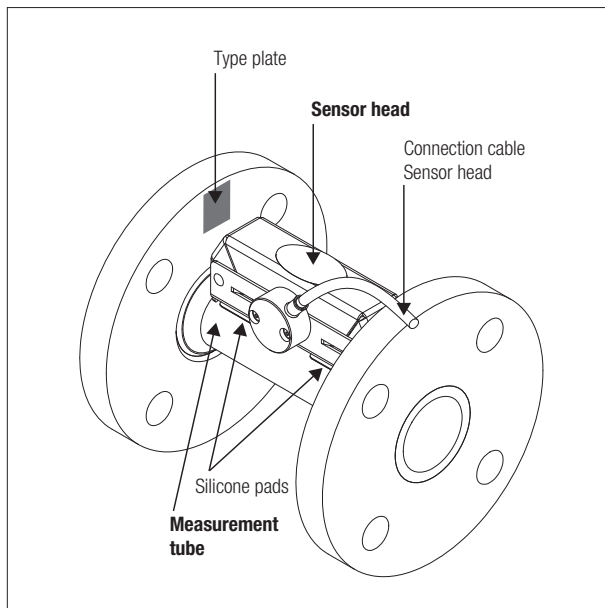
Nominal diameter DN	mm	100	125	150	200	250
Minimum length* A	mm	200	220	240	290	330
Flange ØB	mm	220	270	300	375	450
Weight	kg	19	18-27	28-35	35-61	86-97

* The installation length can be customised to meet specific requirements.

Sensor head with hexalobular screw (Torx) up to DN100 'T20' and above 'T30'

Device description

Component names



Description of functions

The following components are required to ensure functionality:

- Measurement tube with associated Eprom (Eprom number on type plate)
- Electronics: Sensor head with associated electronic module (Eprom number on rating plate)
- Calculator: CALEC® energy master (AMFLO® SONIC DryX software version) with temperature sensors

Measurement tube (incl. associated Eprom)

The data recorded during calibration for the measurement tube are saved in the associated Eprom. This data must be made available to the system by plugging the Eprom into the electronic module.

Electronics (sensor head and electronic module)

The data recorded during calibration for the sensor head tube are saved in the associated electronic module. This is then made available to the system via the connection bus.

Calculator (CALEC® energy master)

The signals are evaluated and displayed in the CALEC® energy master, which is the central unit. It also allows the recorded flow rates to be used for the heat meter function. The temperature sensors are used for energy calculation and for temperature compensation of flow measuring.

Approval, declaration of conformity and verification

This device is approved according to the MID directive 2004/22/CE and the special cooling approval according to the PTB TR K7.2. Instruments for commercial heating and cooling measurements are subject to commercial verification in most countries. Equipment subject to this obligation must be recalibrated resp. reverified after expiry of the calibration period. The operator is responsible for compliance with the regulations.

Specialities re-verification

- Measurement tube stays three verification periods in the system
- Exchange or verification is only necessary for the electronics and the calculator, without intervention in the hydraulics

System components

Measurement tube



Measurement tube

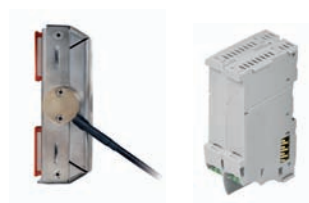


EPROM

Nominal diameter (mm)	Nominal length	Art. No.		
		PN40	PN25	PN16
DN 32	150		94741	
	200		94742	
	260		94743	
DN 40	165		94744	
	200		94745	
	220		95350	
	300		94746	
DN 50	200		94714	
	270		94715	
	300		95351	
	465		95352	
	475		95353	
DN 65	200		94747	
	300		94748	
	460		95354	
	475		95355	
DN 80	175		94749	
	200		94750	
	225		94751	
	300		94752	
	350		95356	
	380		95657	
	400		95358	

Nominal diameter (mm)	Nominal length	Art. No.		
		PN40	PN25	PN16
DN 100	200	94753		95108
	250	94754		95109
	350	95360		95359
	360	94755		95110
	375	-		95361
DN 125	400	95362		-
	250	95003		95321
	350	95004		95322
	375	-		95363
DN 150	400	95005		95323
	300	95007		95324
	350	95008		95325
DN 200	360	-		95364
	400	95009		95326
	500	95010		95327
	350	95012	95328	95332
	400	95013	95329	95333
DN 250	450	-	-	95365
	490	95014	95330	95334
	500	95015	95331	95335
	400	95017	95336	95340
	450	95018	95337	95341
	575	95019	95338	95342
	600	95020	95339	95343

Electronics



Sensor head Electronic module

Nominal diameter	Art. No.
DN 32	94758
DN 40	94759
DN 50	94713
DN 65	94760
DN 80	94761
DN 100	94762

Nominal diameter	Art. No.
DN 125	95024
DN 150	95025
DN 200	95026
DN 250	95027

Calculator



CALEC® energy master

Calculator	Art. No.
230V-Pt 100 CALEC® energy master	94763
24V-Pt 100 CALEC® energy master	94764
230V-Pt 100 CALEC® energy master (without protective housing)	95366
24V-Pt 100 CALEC® energy master (without protective housing)	95367

For the calculator and the temperature sensors further information is available.

SALES PARTNER:

HEAD OFFICE:

AQUAMETRO AG
Ringstrasse 75
CH-4106 Therwil
Phone +41 61 725 11 22
Fax +41 61 725 15 95
info@aquametro.com



www.aquametro.com